

1 2 3 4 5 6

A

A

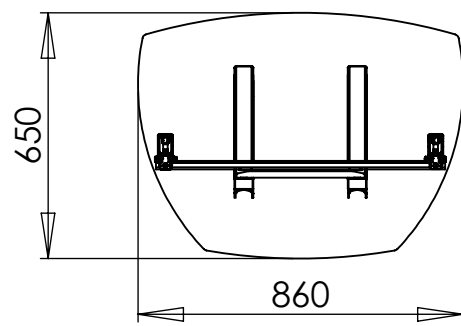
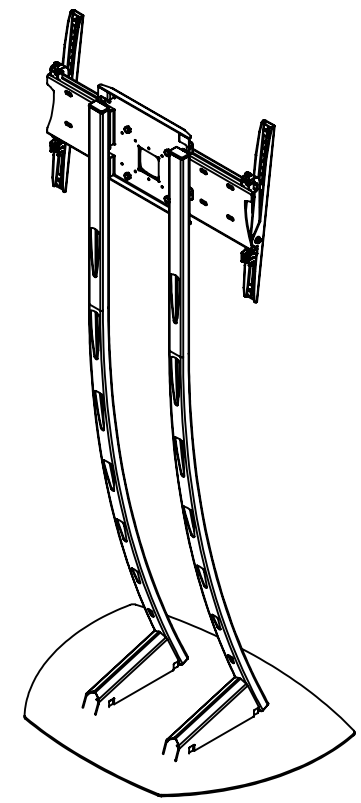
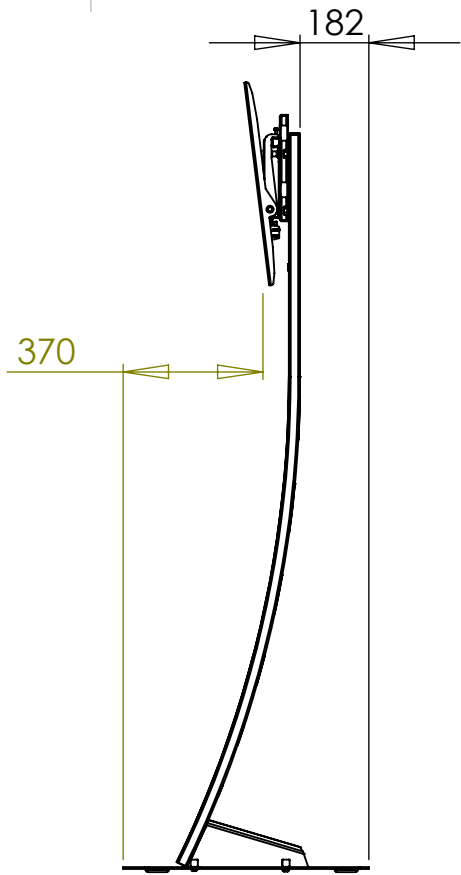
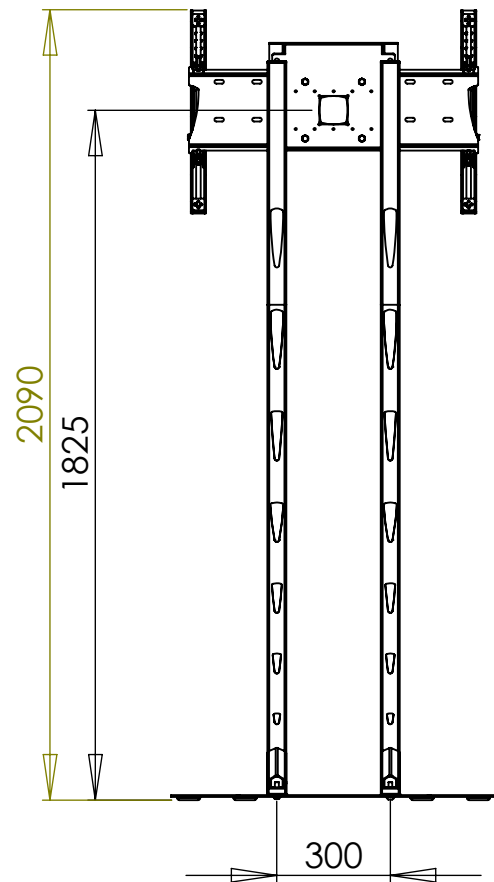
B

B

C

C

D



Bend Tool

Description		Parabella Stand With Pzw1		
UNLESS OTHERWISE SPECIFIED: DIMENSIONS ARE IN MILLIMETERS		Mod Date	10/10/2016	REVISION
SURFACE FINISH: Powder Coated		Drawn Date:	06/11/2006	A-003
DRAWN	Specials Three	Material		
Unicol Engineering Green Road Oxford OX3 8EU		Gauge		DWG NO.
				Pa2pzw1
		WEIGHT: 171922.67171922kg		A4
		SCALE:1:20	DO NOT SCALE DRAWING	SHEET 1 OF 1

1 2 3 4 5 6